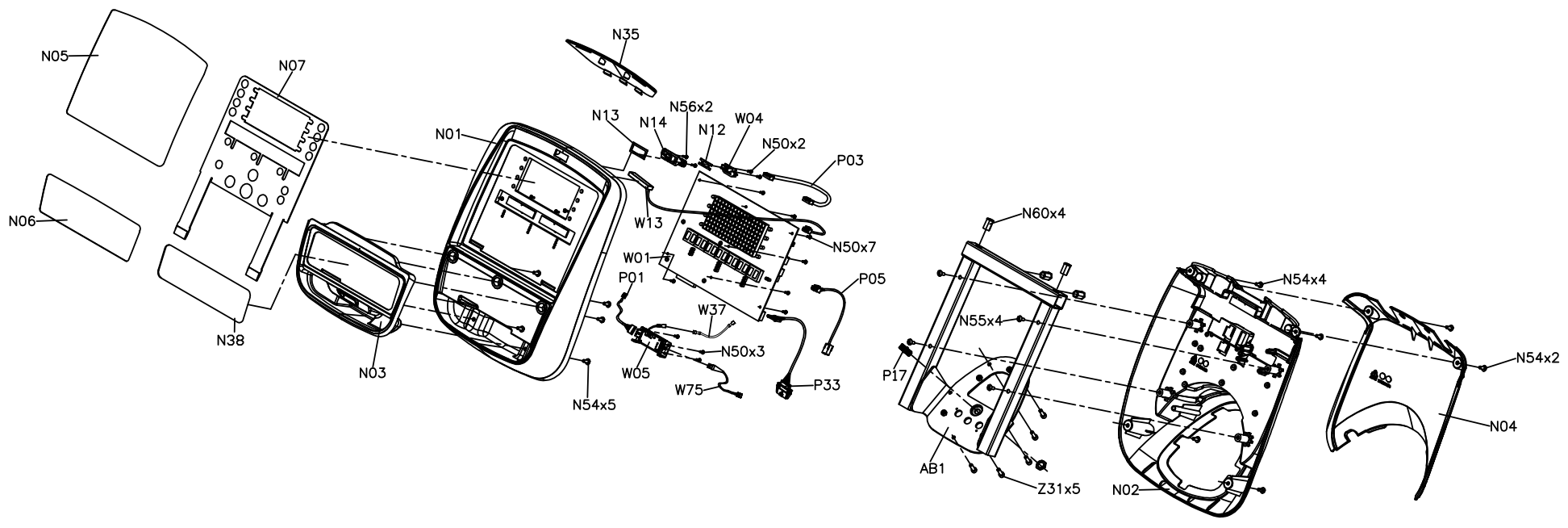
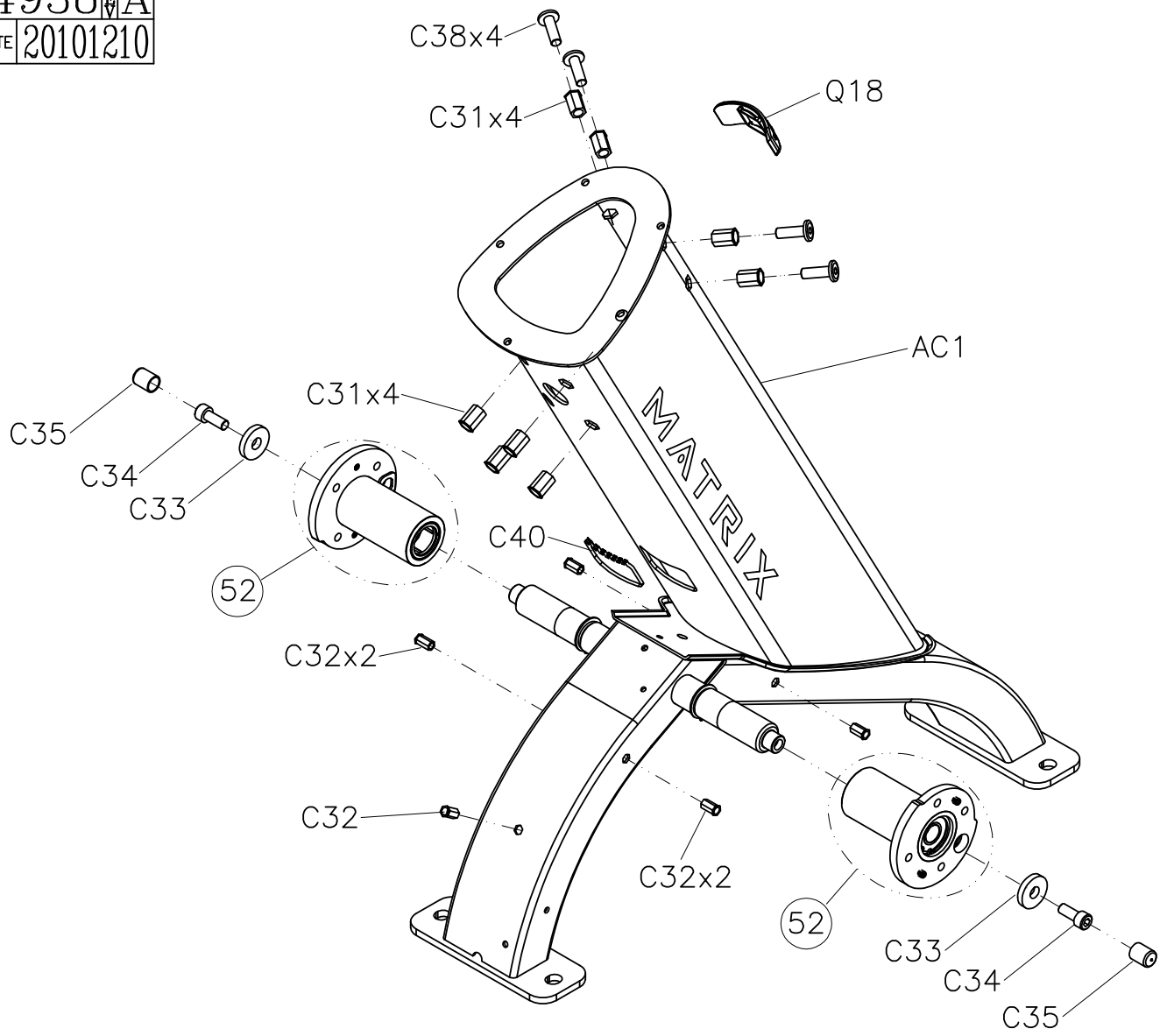


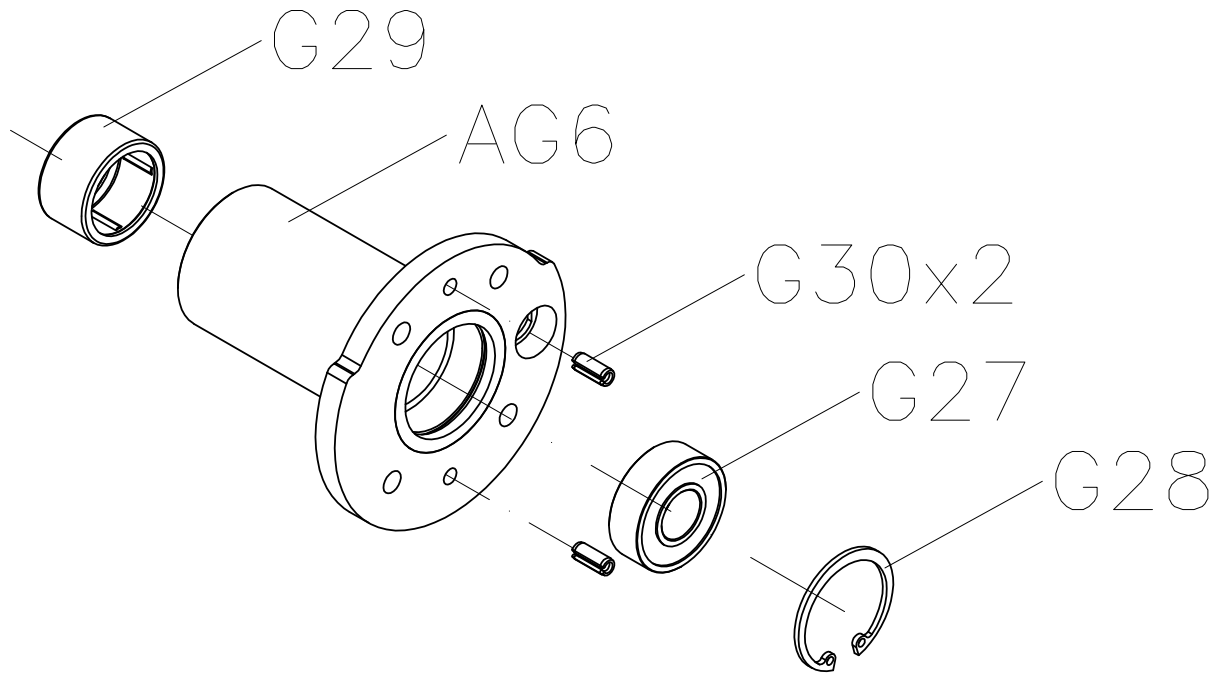
DRAWING NO	EP605-AN11		
PART NAME	CONSOLE SET		
PART NO	1000207114 B		
APPROVE	Hsinyen	DATE	040111



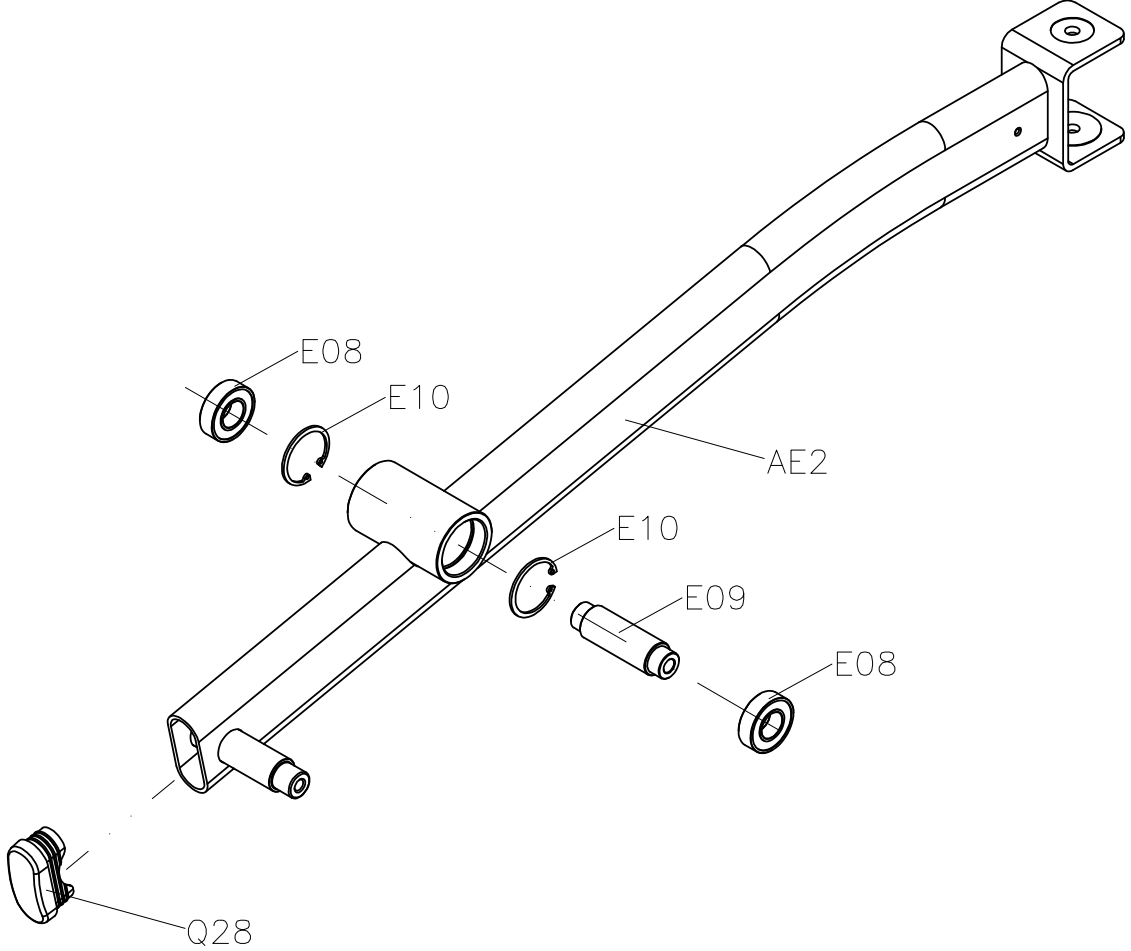
DRAWING NO	EP304-AC11		
PART NAME	CONSOLE MAST SET		
PART NO	0000094938	REV	A
APPROVE	MAX	DATE	20101210



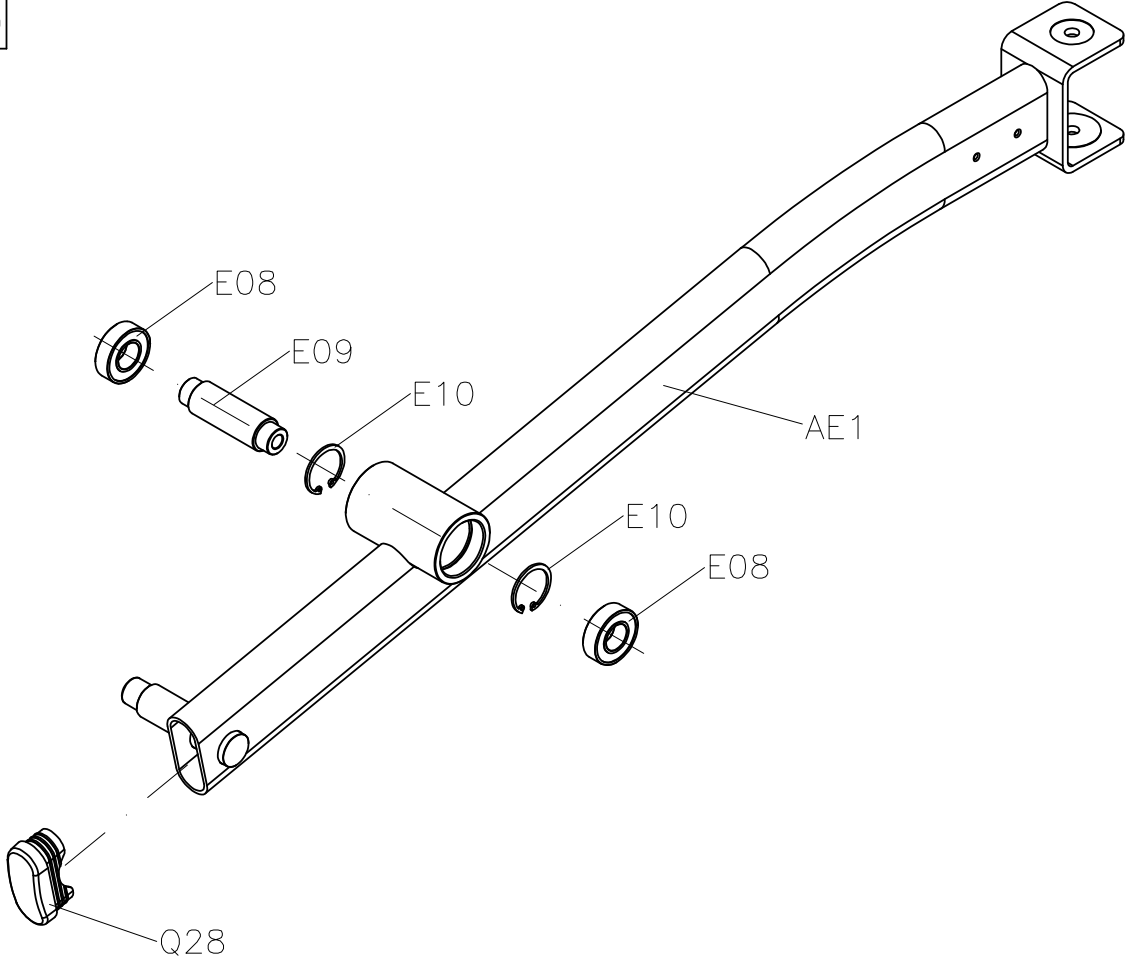
DRAWING NO	EP304-AG15		
PART NAME	ROTATION HOUSING ASSEMBLY SET		
PART NO	0000094951  A		
APPROVE	MAX	DATE	20101210



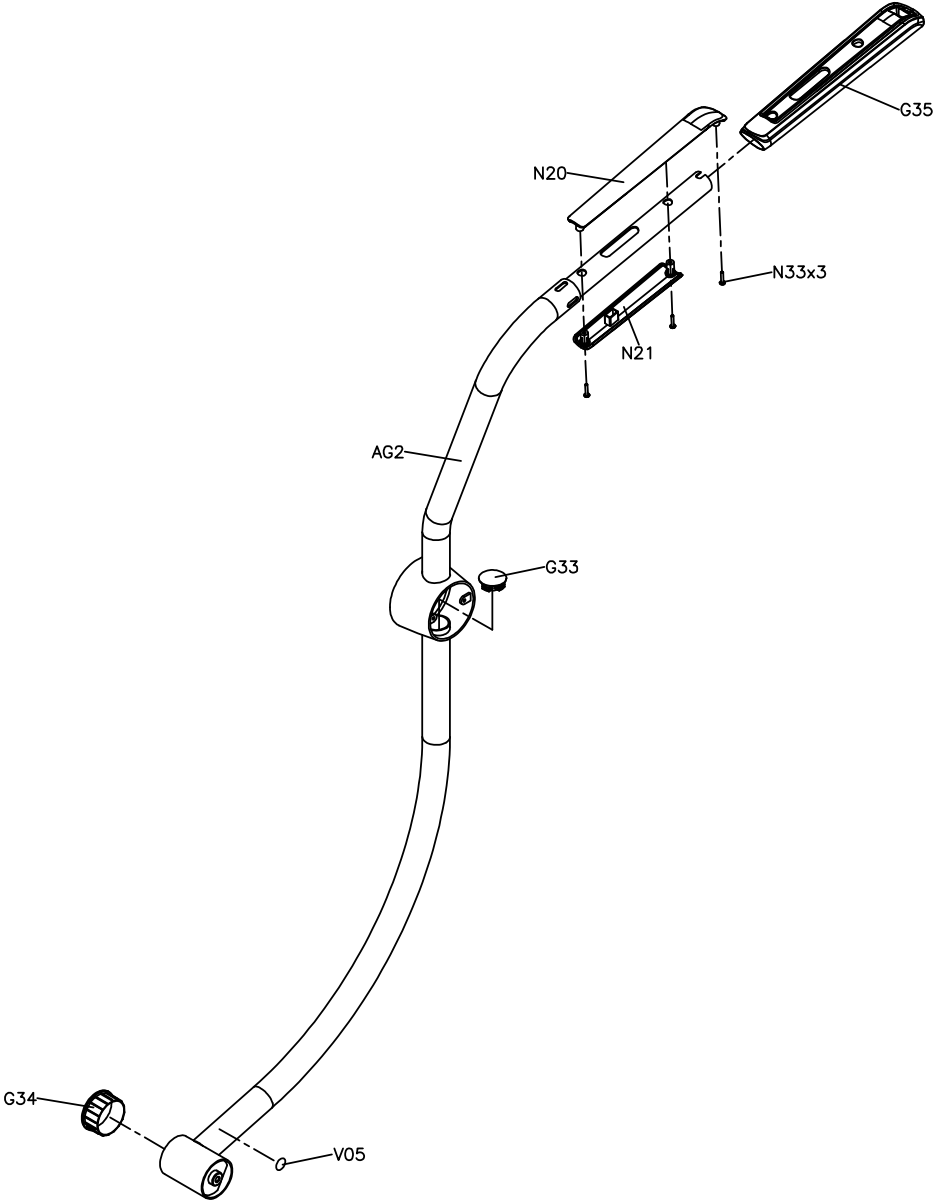
DRAWING NO	EP304-AE11		
PART NAME	RIGHT PEDAL ARM SET		
PART NO	0000094984	REV	A
APPROVE	MAX	DATE	20101210



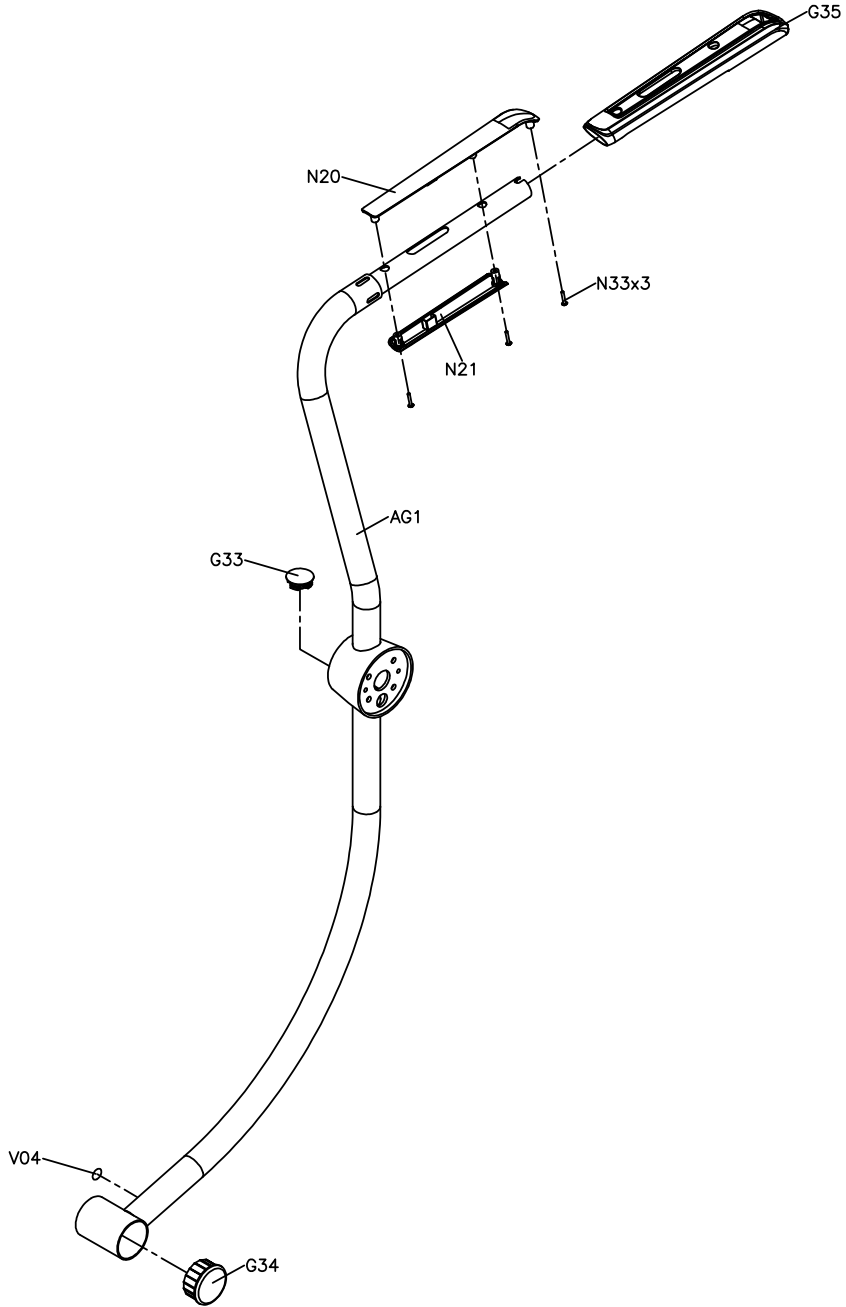
DRAWING NO	EP304-AE12		
PART NAME	LEFT PEDAL ARM SET		
PART NO	0000094991	REV	A
APPROVE	MAX	DATE	20101210



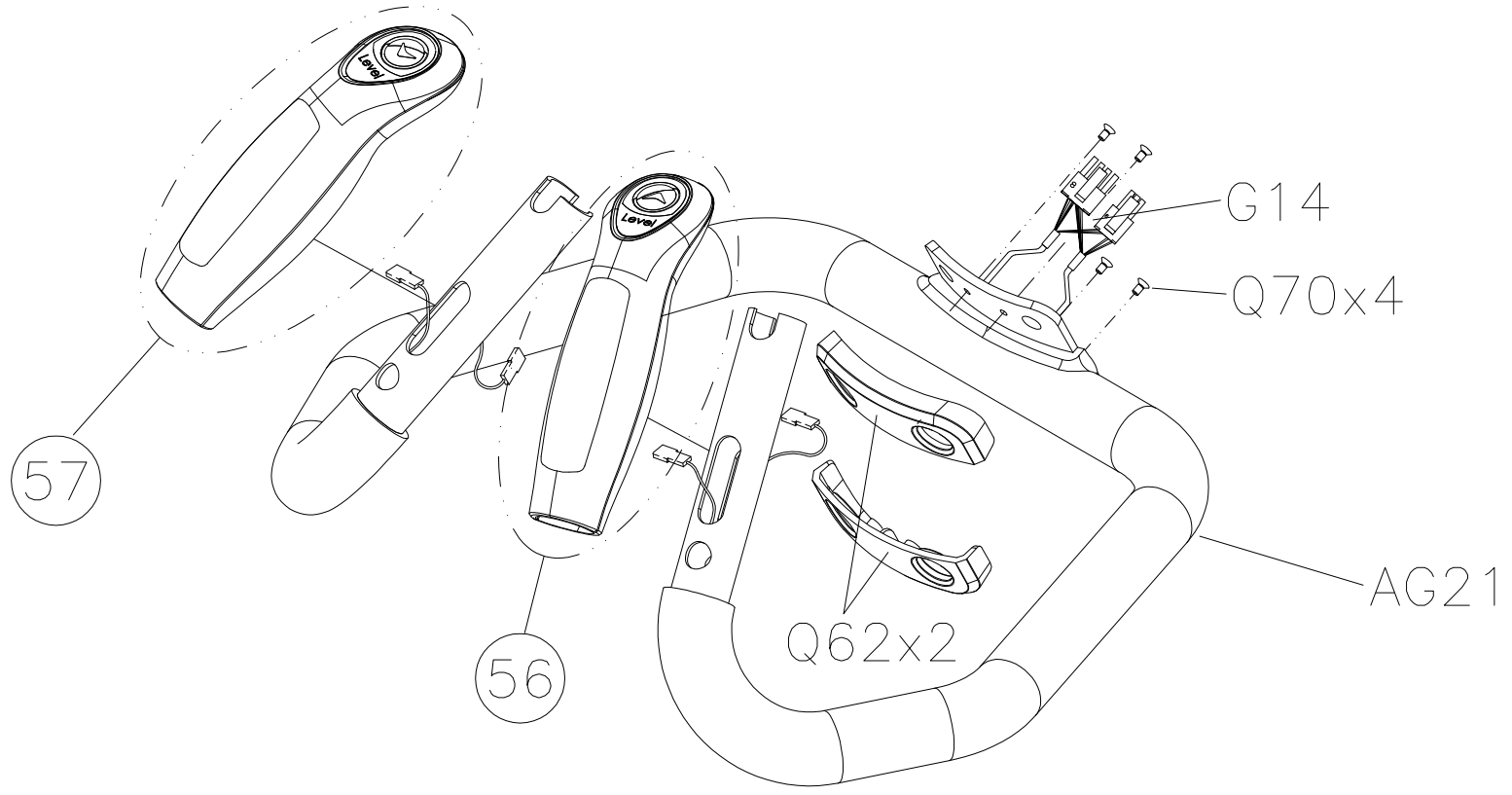
DRAWING NO	EP304-AG11		
PART NAME	RIGHT HANDLEBAR SET		
PART NO	0000094964	REV	A
APPROVE	MAX	DATE	20101210



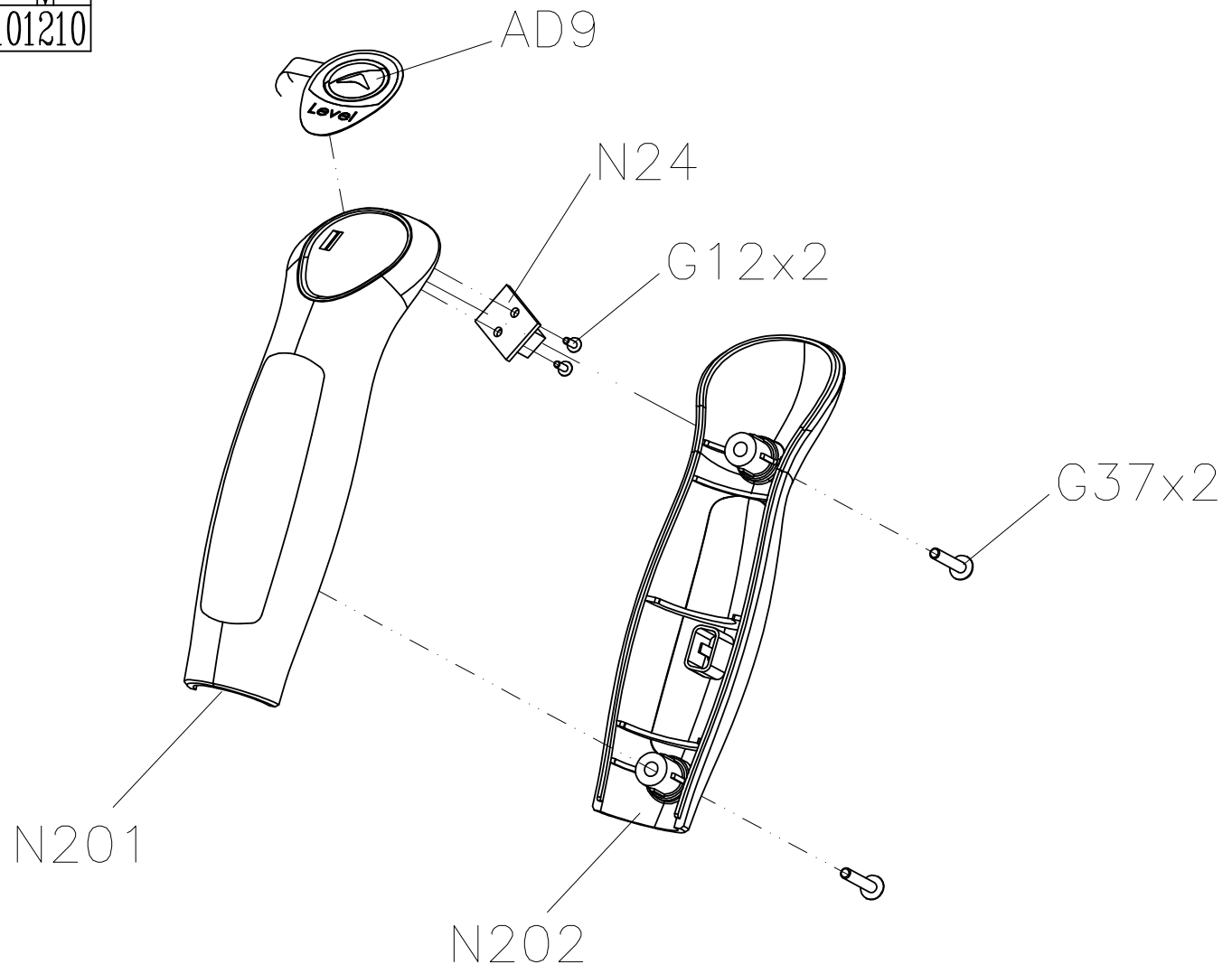
DRAWING NO	EP304-AG12		
PART NAME	LEFT HANDLEBAR SET		
PART NO	0000094977	REV	A
APPROVE	Max	DATE	20101210



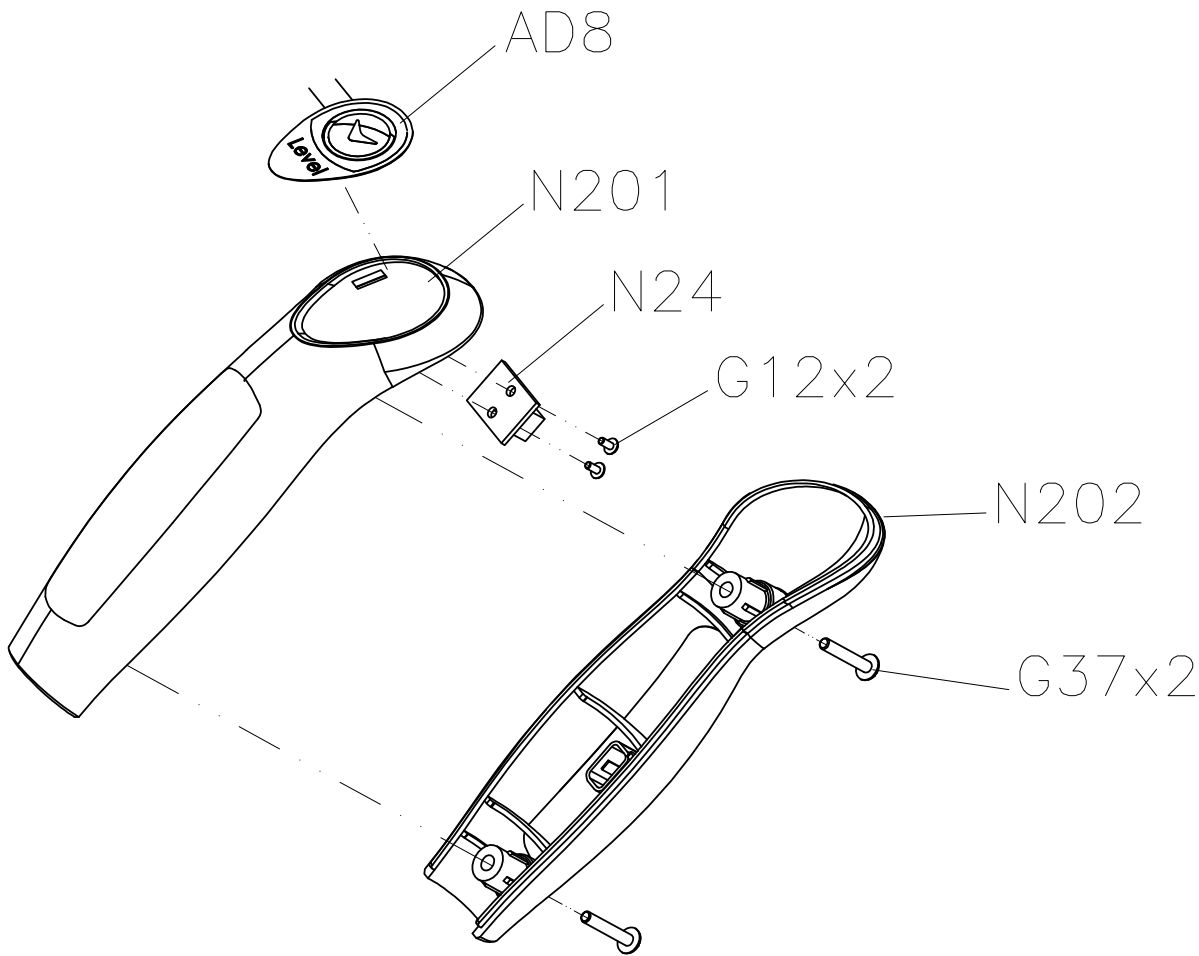
DRAWING NO	EP306-AG13		
PART NAME	HANDLE BAR SET		
PART NO	0000094965		B
APPROVE	Hsinyen	DATE	20110329



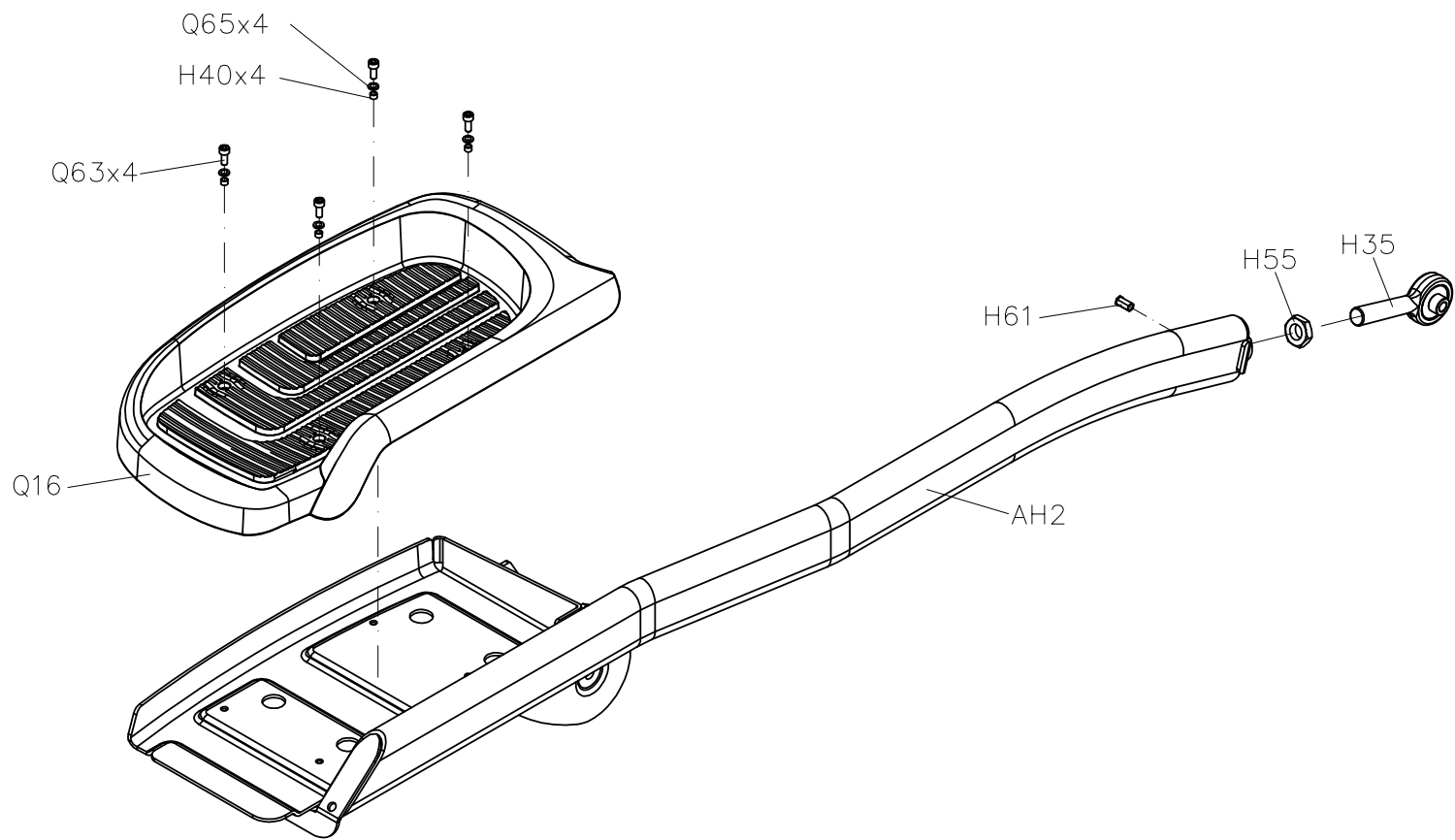
DRAWING NO	EP304-AN21		
PART NAME	RIGHT HR GRIP SET		
PART NO	1000206953	REV	A
APPROVE	MAX	DATE	20101210



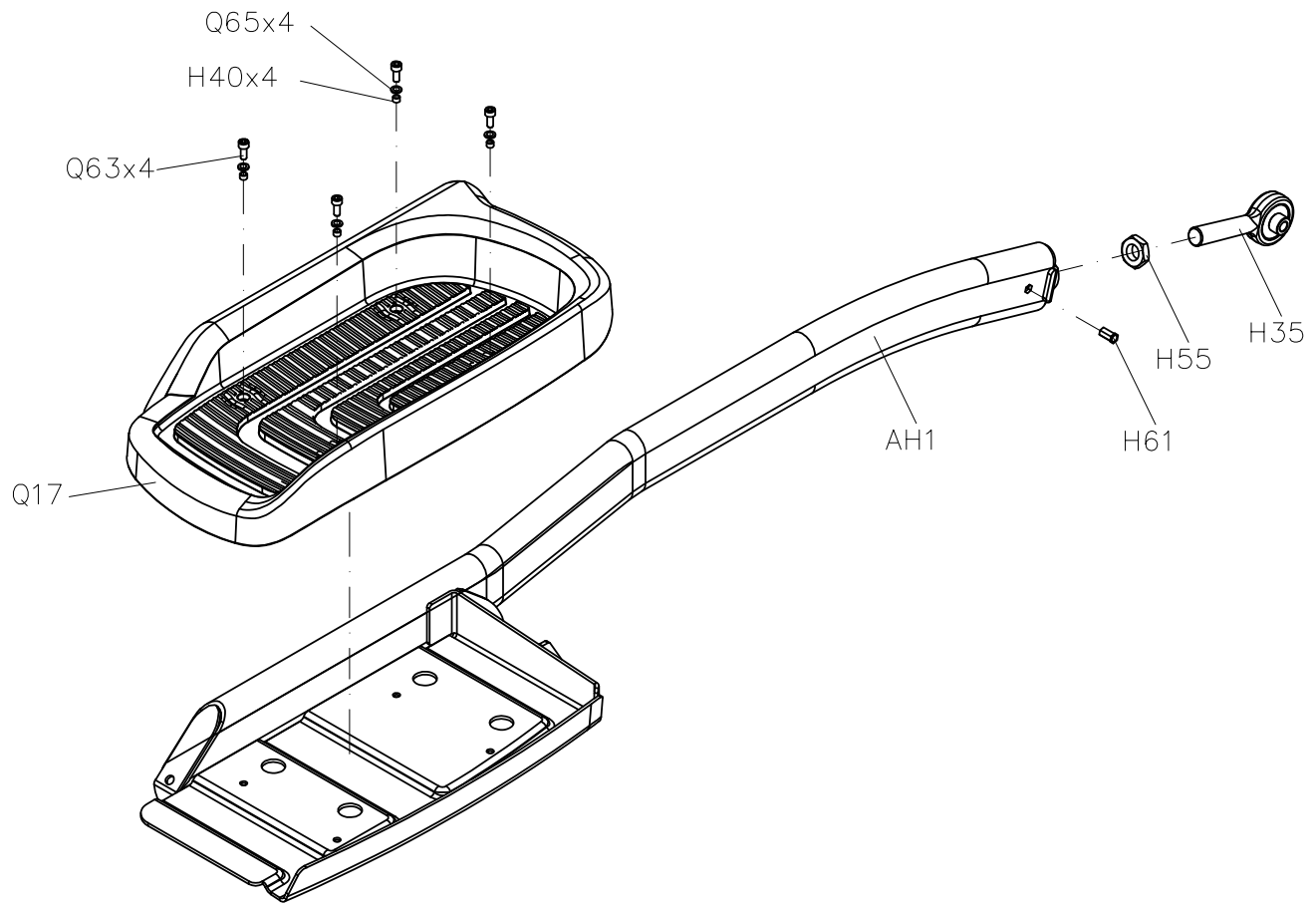
DRAWING NO	EP304-AN22		
PART NAME	LEFT HR GRIP SET		
PART NO	1000206959	REV	A
APPROVE	MAX	DATE	20101210



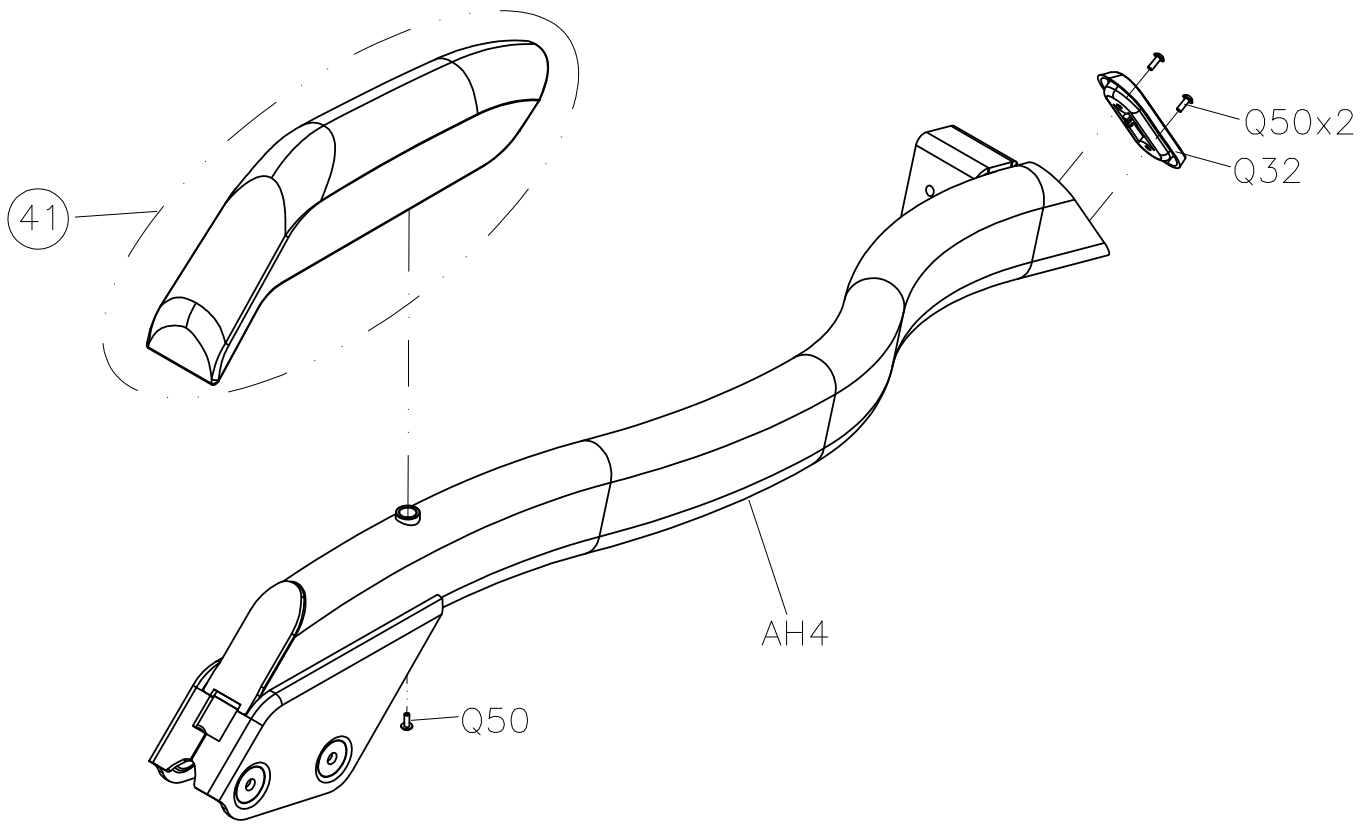
DRAWING NO	EP304-AH21		
PART NAME	RIGHT LOWER LINK ARM SET		
PART NO	0000094996		B
APPROVE	SAM	DATE	20110506



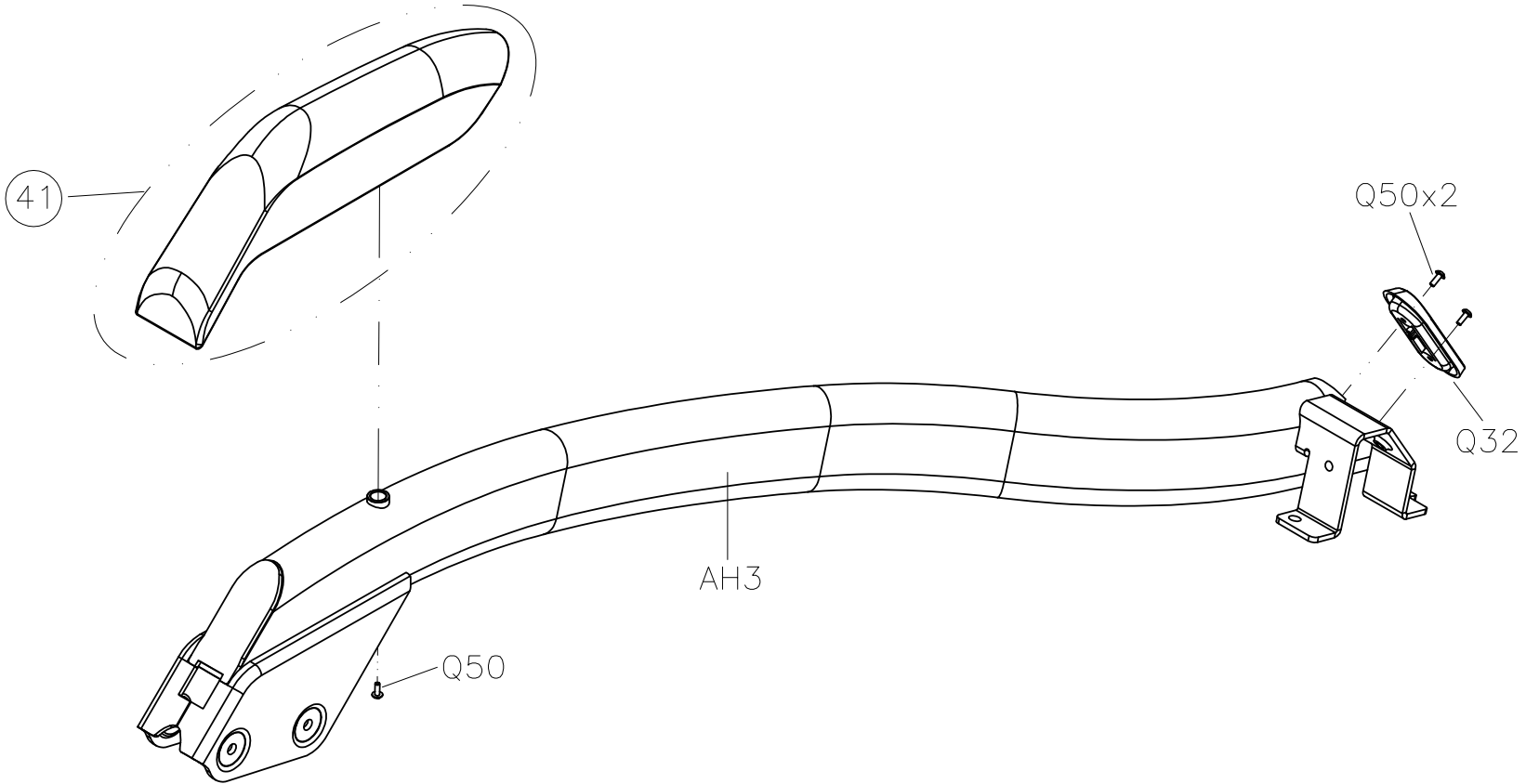
DRAWING NO	EP304-AH22		
PART NAME	LEFT LOWER LINK ARM SET		
PART NO	0000095003	REV	B
APPROVE	SAM	DATE	20110506



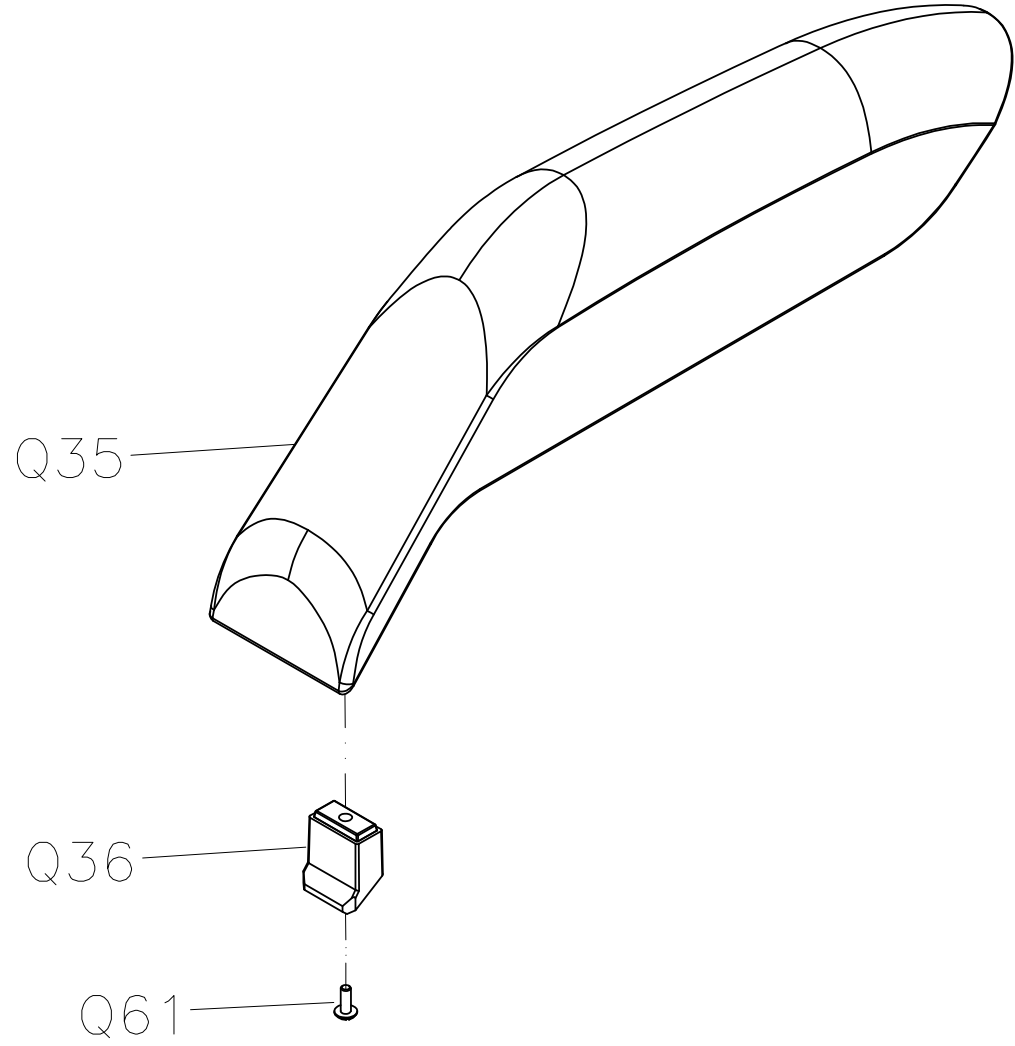
DRAWING NO	EP304-AH23		
PART NAME	RIGHT CONNECTION ARM SET		
PART NO	0000095010	REV	A
APPROVE	MAX	DATE	20101210



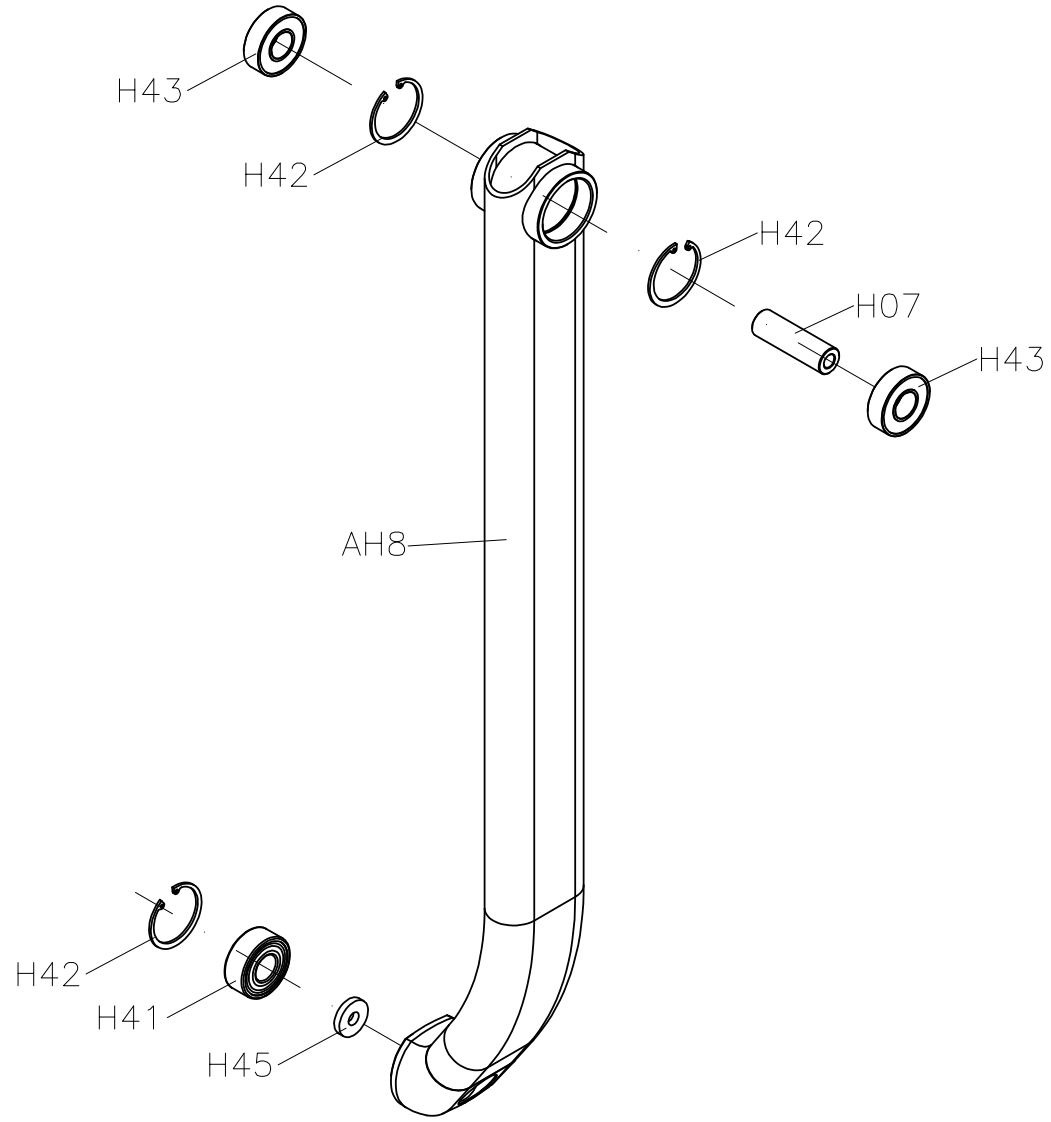
DRAWING NO	EP304-AH24		
PART NAME	LEFT CONNECTION ARM SET		
PART NO	0000095019 <small>REV</small> A		
APPROVE	MAX	DATE	20101210



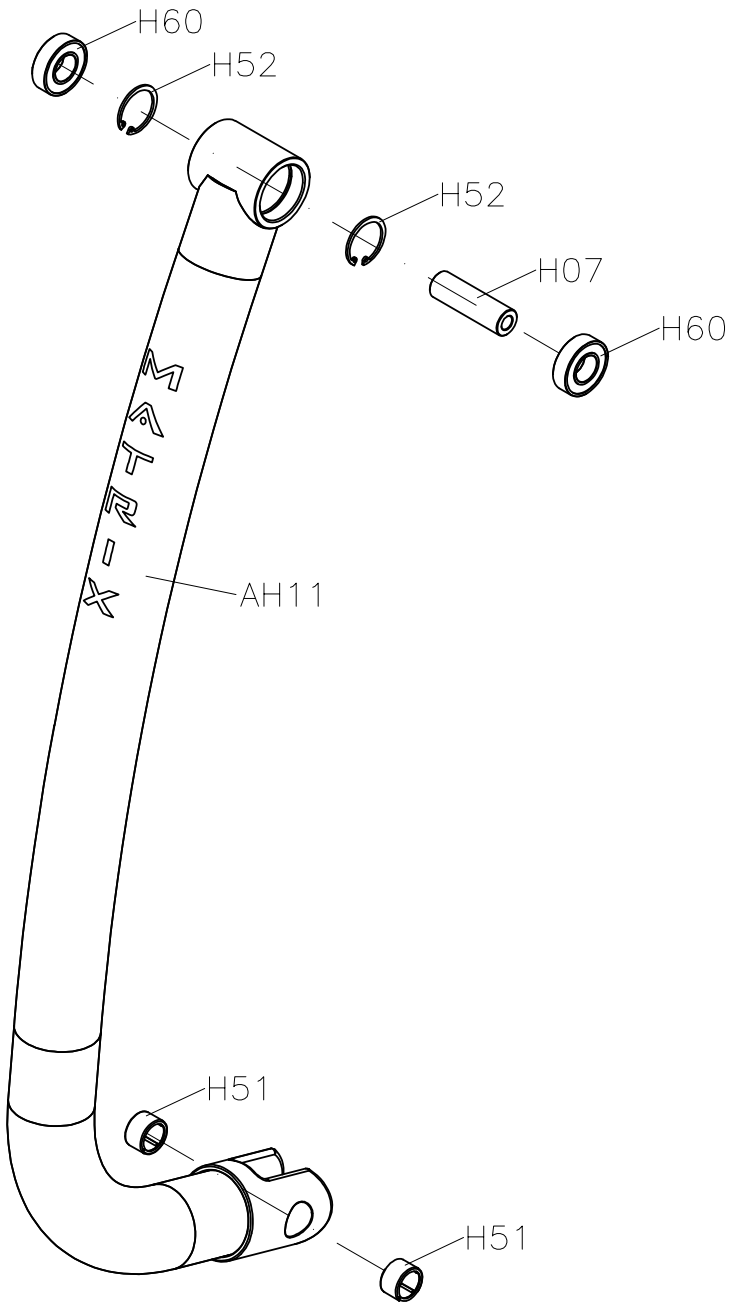
DRAWING NO	EP304-AQ21		
PART NAME	Incline arm cover		
PART NO	1000209854	REV	A
APPROVE	MAX	DATE	20101210



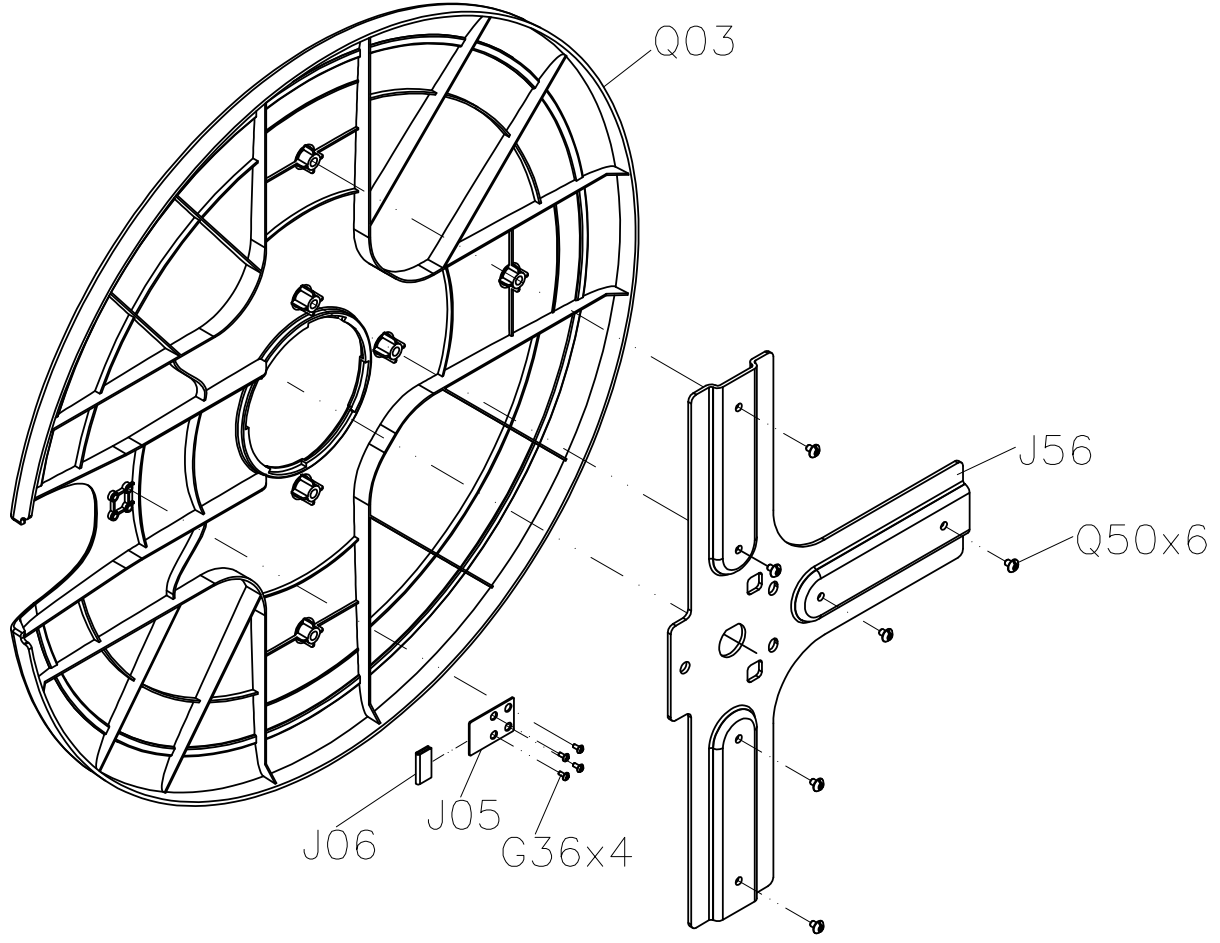
DRAWING NO	EP304-AH25		
PART NAME	SWING ARM SET		
PART NO	0000095028	REV	A
APPROVE	MAX	DATE	20101210



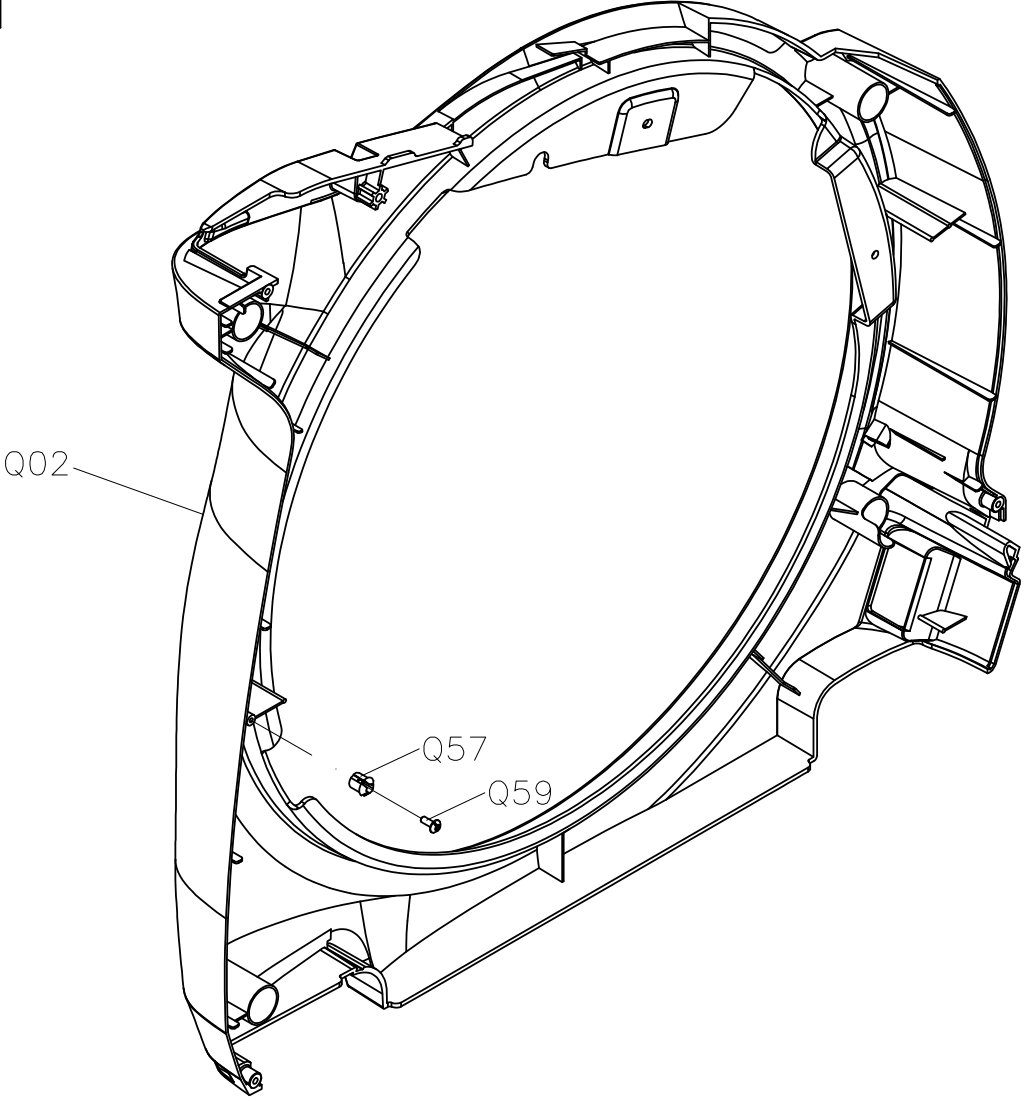
DRAWING NO	EP304-AH26		
PART NAME	ADJUSTMENT ARM SET		
PART NO	0000095043	REV	A
APPROVE	MAX	DATE	20101210



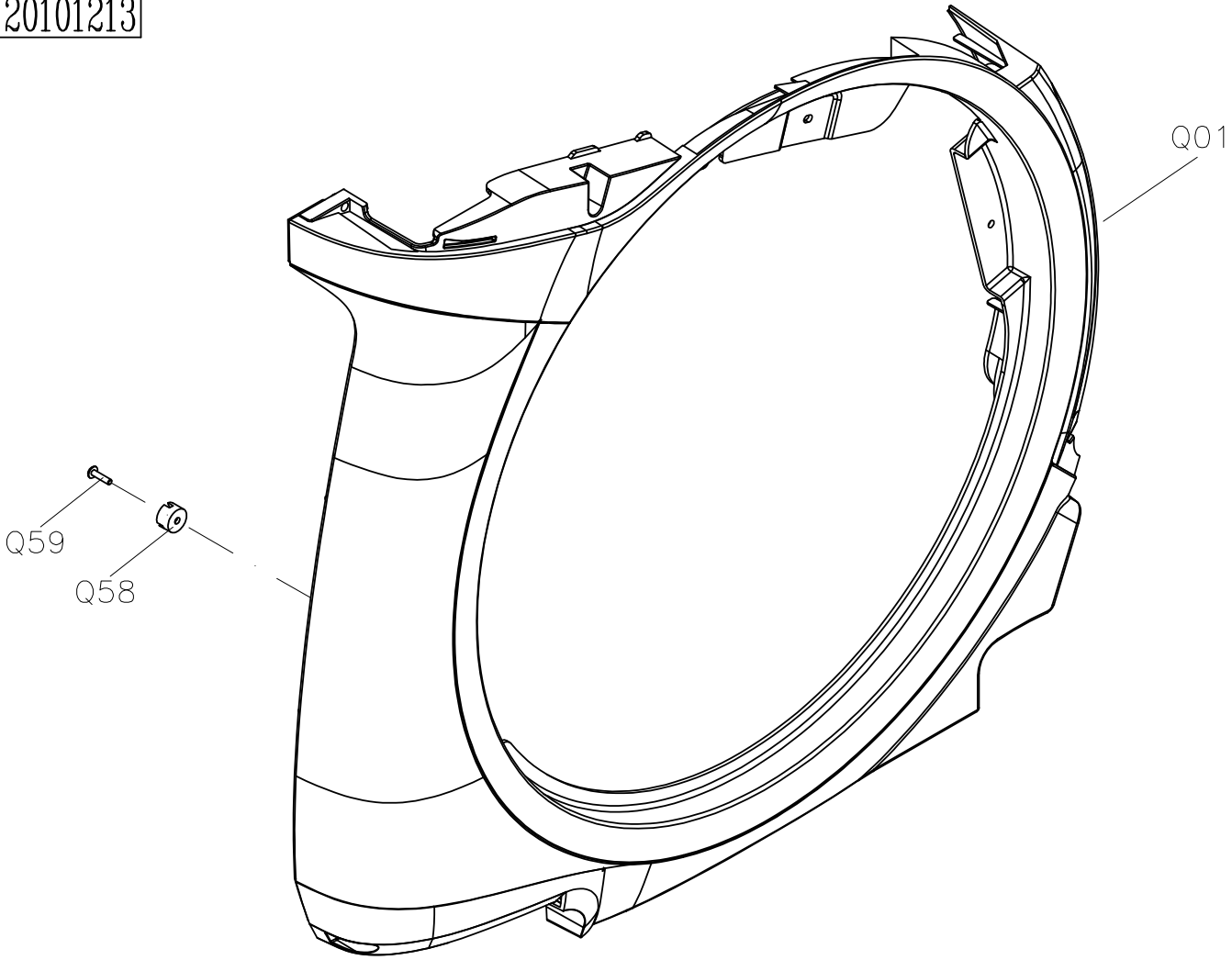
DRAWING NO	EP304-AJ13		
PART NAME	CRANK ROUND DISK SET		
PART NO	1000206970	REV	A
APPROVE	MAX	DATE	20101210



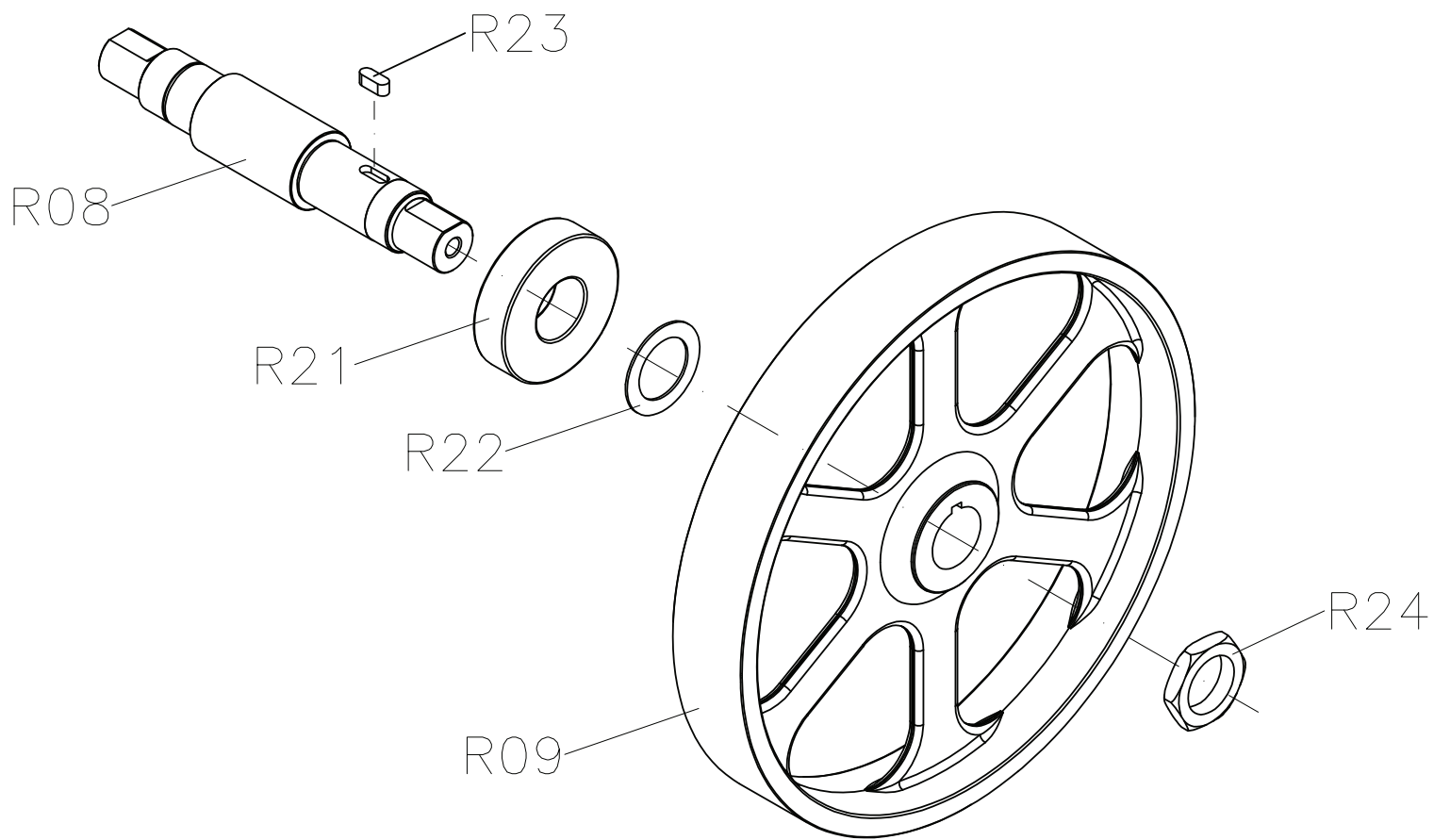
DRAWING NO	EP304-AQ11		
PART NAME	LEFT SIDE COVER SET		
PART NO	0000095068	REV	A
APPROVE	tsaijw	DATE	20101213



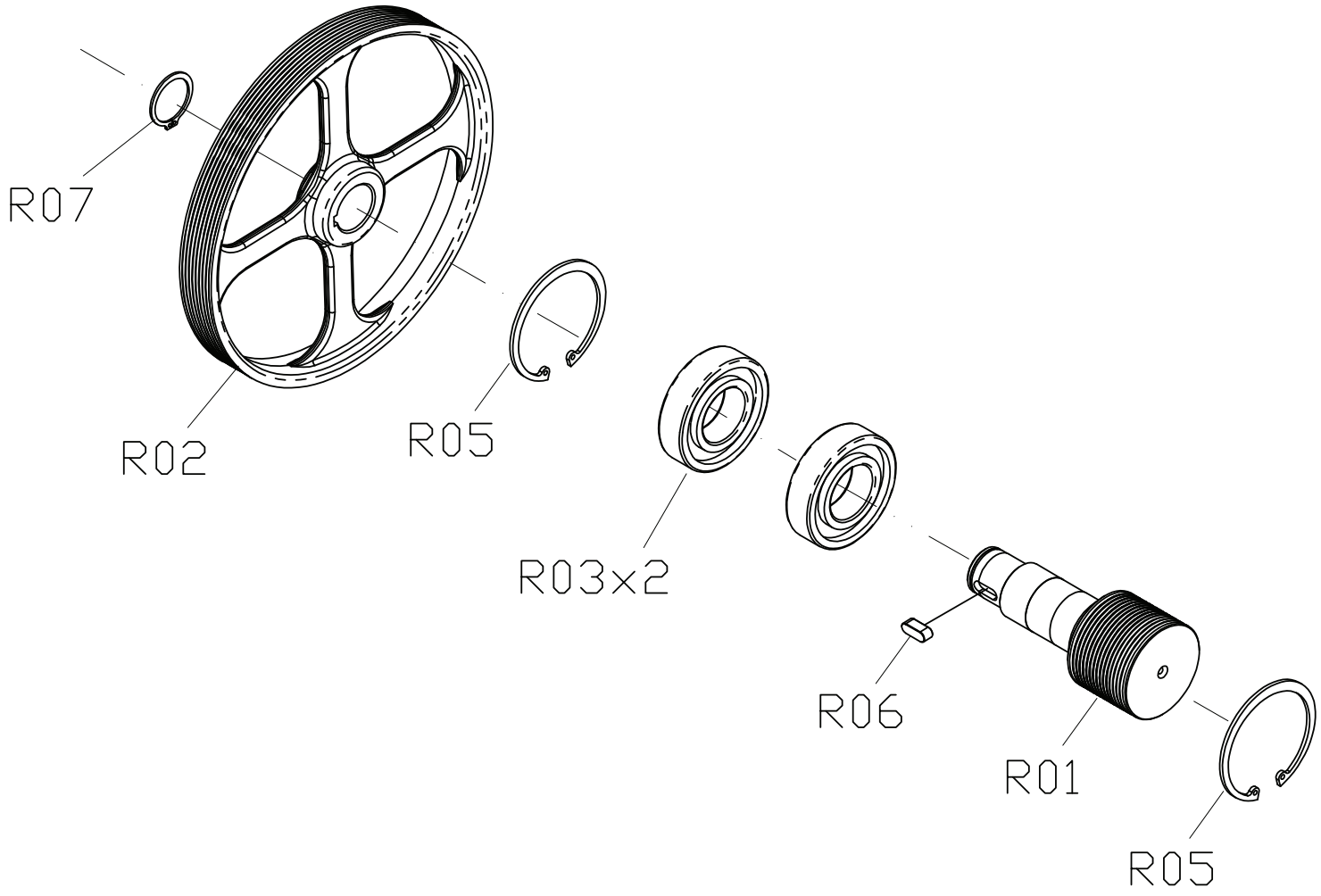
DRAWING NO	EP304-AQ12		
PART NAME	RIGHT SIDE COVER SET		
PART NO	0000095071  A		
APPROVE	tsaijw	DATE	20101213



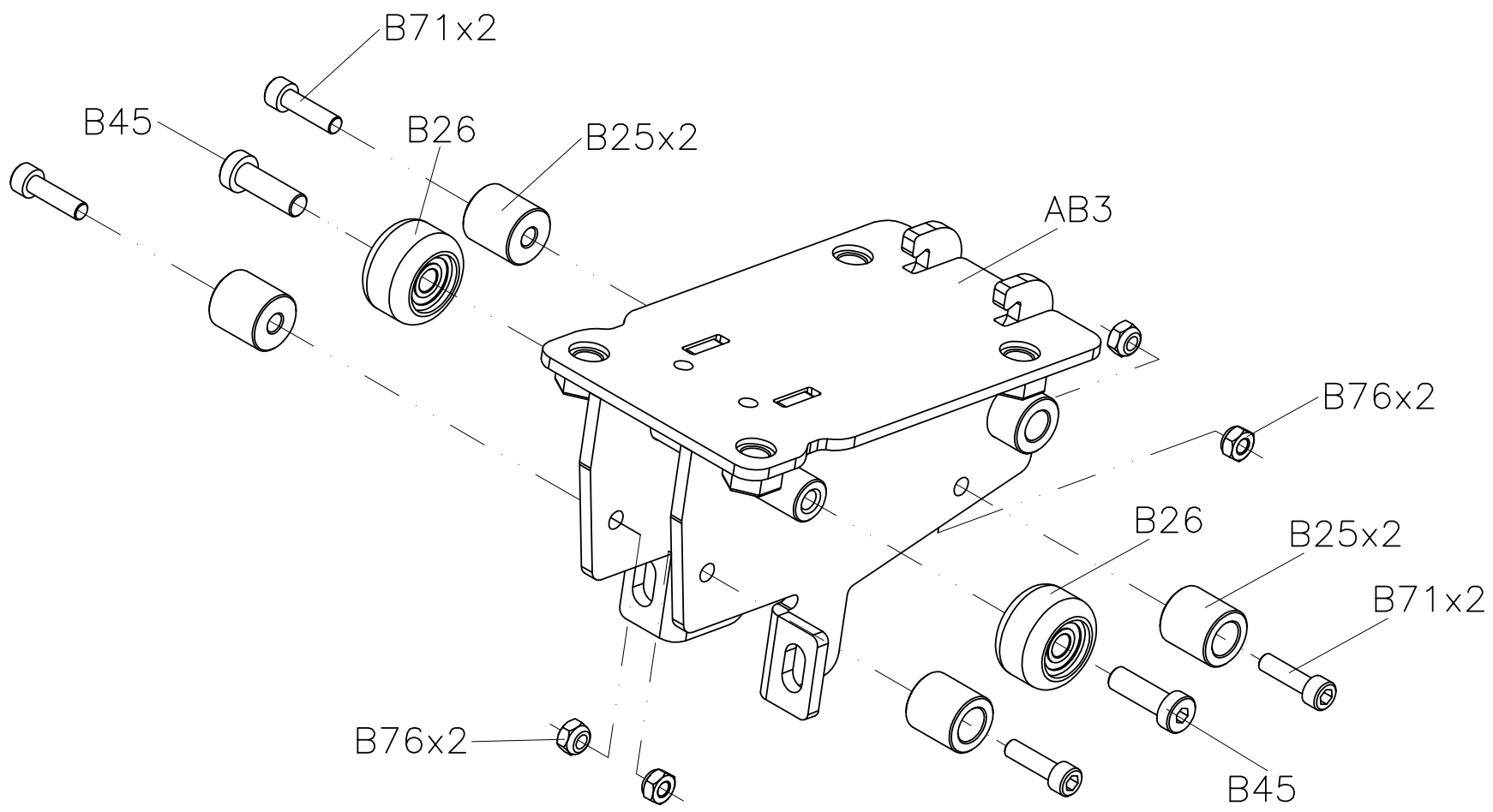
DRAWING NO	EP304-AR5		
PART NAME	DRIVE AXLE SET		
PART NO	1000206975	REV	A
APPROVE	MAX	DATE	20101210



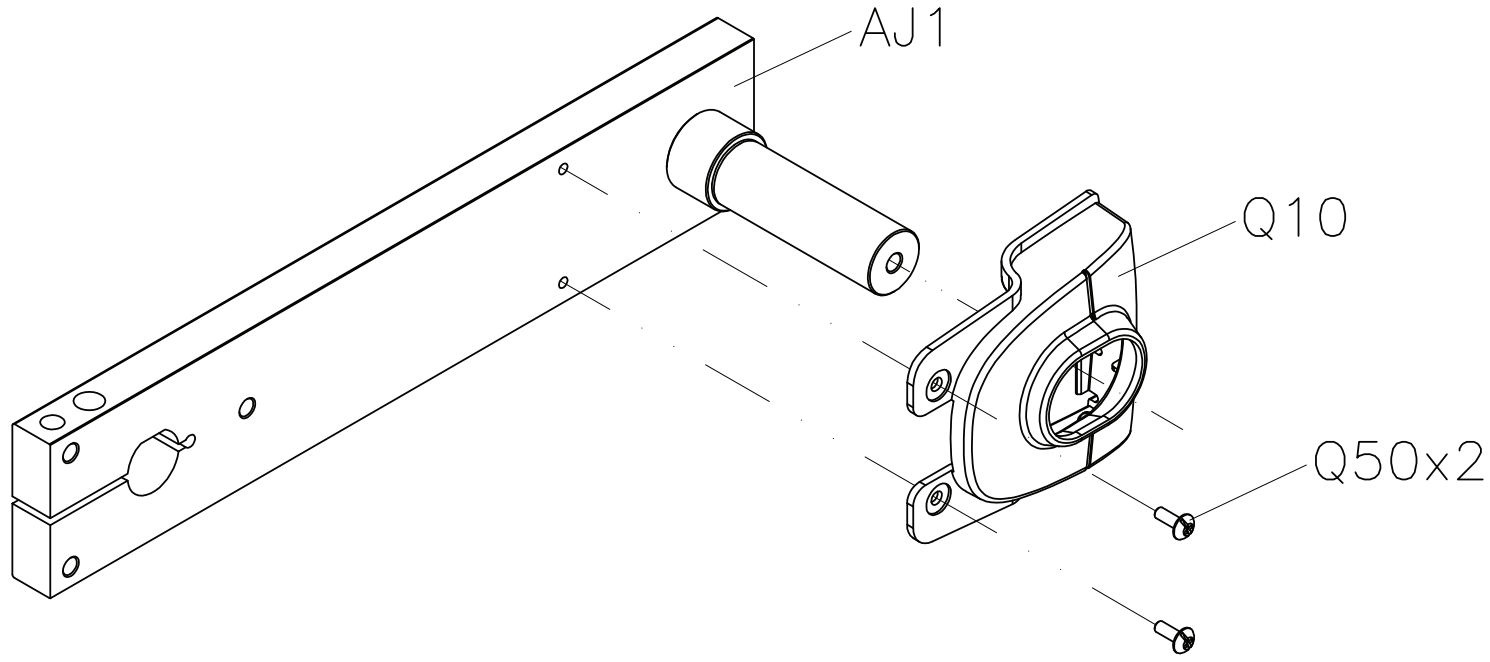
DRAWING NO	EP78-AR11	
PART NAME	PULLEY SET	
PART NO	0000089635	REV B
APPROVE	tsaijw	DATE 112910



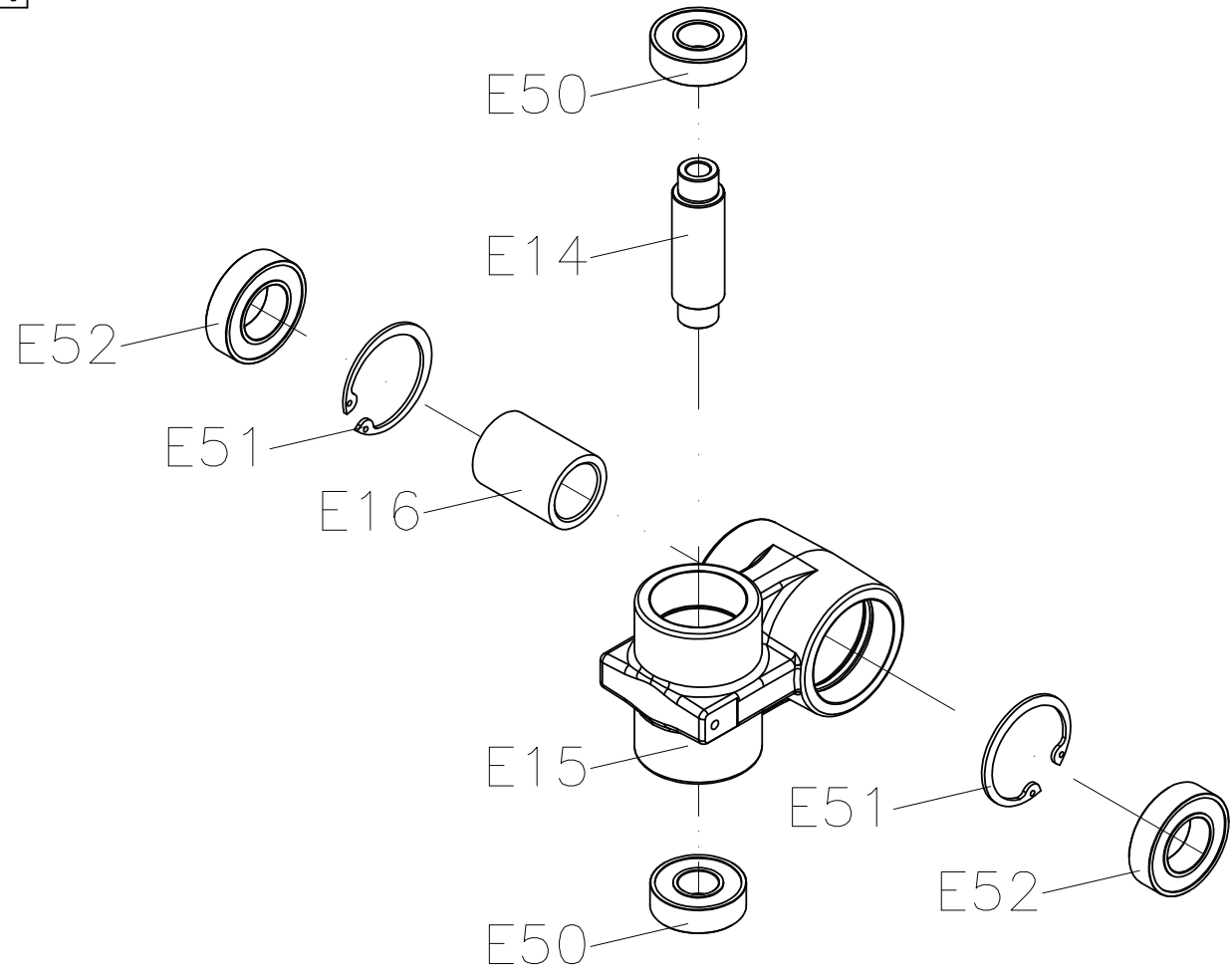
DRAWING NO	EP306-AB5		
PART NAME	MOTOR CARRIAGE SET		
PART NO	0000094930	REV	A
APPROVE	MAX	DATE	20101210



DRAWING NO	EP304-AJ12		
PART NAME	CRANK SET		
PART NO	0000095121REV A		
APPROVE	MAX	DATE	20101210



DRAWING NO	EP79-AE5		
PART NAME	CRANK PIN SLEEVE SET		
PART NO	0000092274  B		
APPROVE	MAX	DATE	20101210



DRAWING NO	EP306-AB7		
PART NAME	ADJUST ROLLER SET		
PART NO	1000212320	REV	A
APPROVE	MAX	DATE	20101210

